

SERVICE MANUAL

N264

MUSIC WORKSTATION

N364

MUSIC WORKSTATION

<h2>CONTENTS</h2>

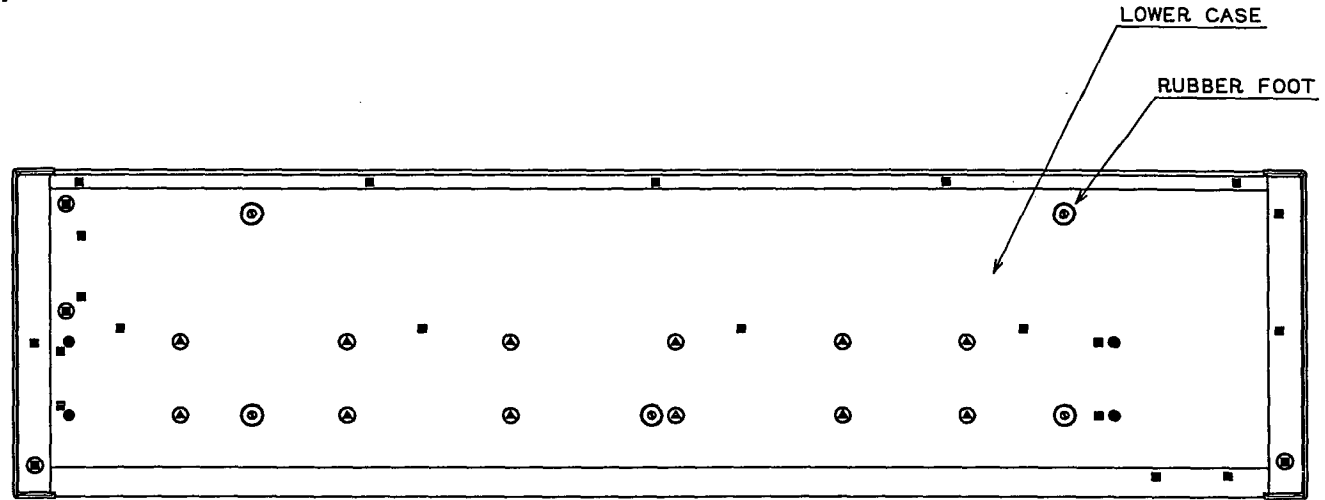
1. DISASSEMBLY	1
2. BLOCK DIAGRAM	6-a
3. CIRCUIT DIAGRAM(insertion)	6-b
4. PARTS LIST	7

KORG

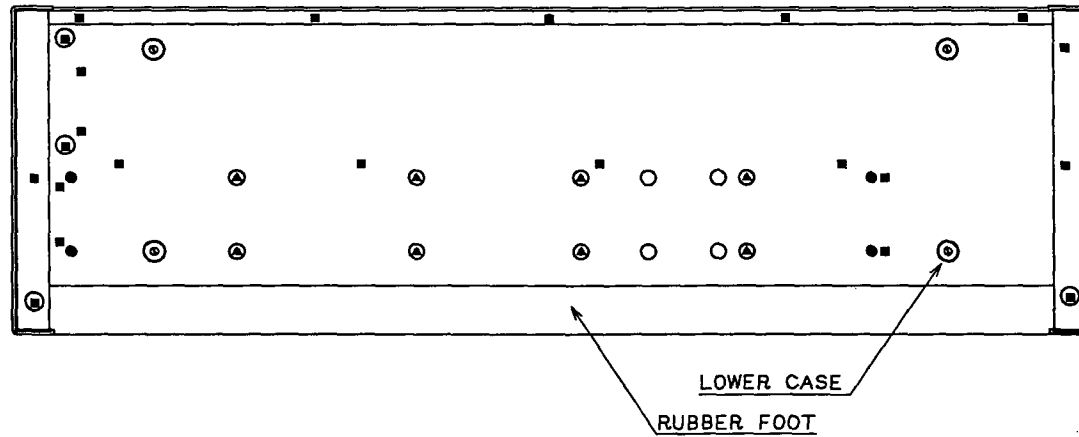
DISASSEMBLY (1/5)

1. DISASSEMBLY

• N264 (X-512)



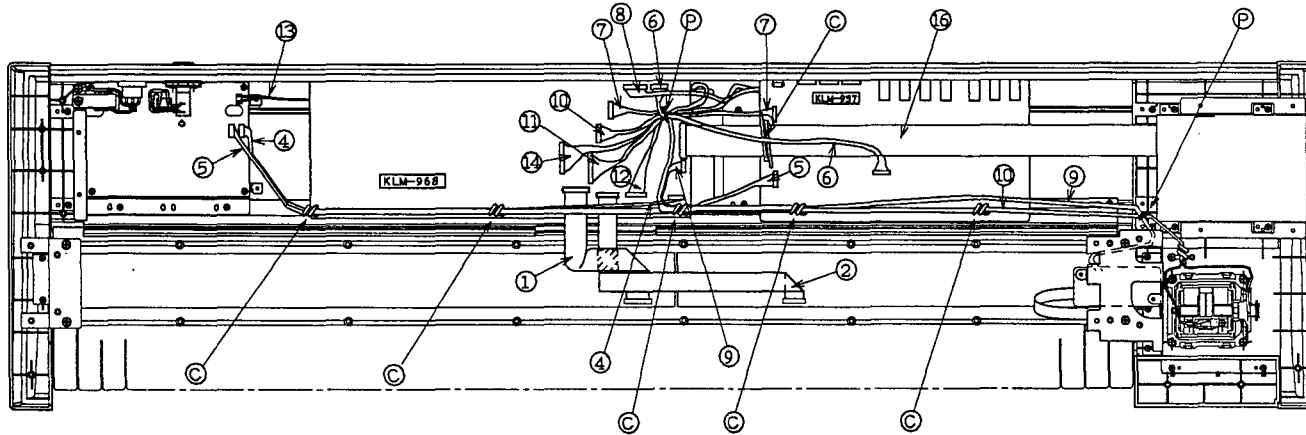
• N364 (X-511)



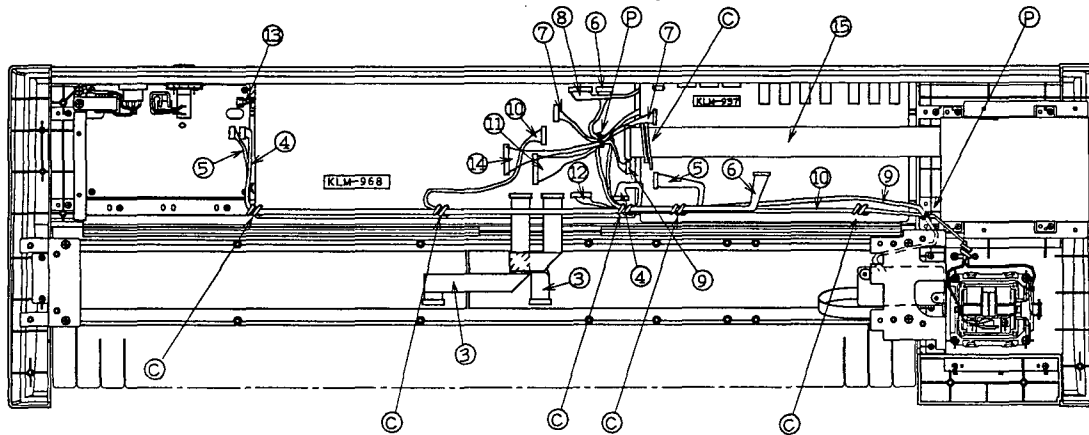
▲	BT	B	BZMC	4X8	8	12
■	BT	B	BZMC	4X10	22	24
MARK	SCREWS				X-511	X-512
					Q-14	Q-14

DISASSEMBLY (2/5)

• N264 (X-512)



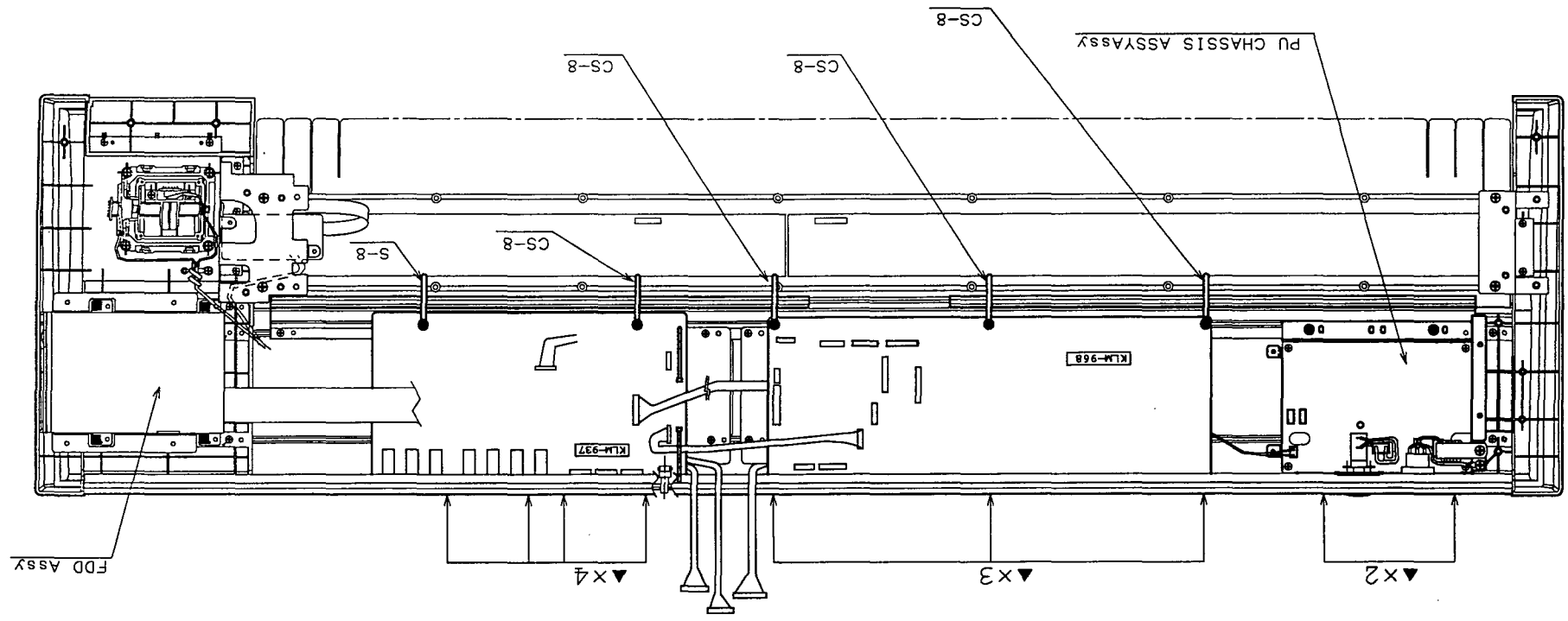
• N364 (X-511)



MARK	HNS No.	CONNECTIONS
①	8000	KBD - KLM968 (Main)
②	8028	KBD - KLM968 (Main)
③	2059	KBD - KLM968 (Main)
④	8032	Power - KLM968 (Main)
⑤	8033	KLM937 (Jack) - Power
⑥	8034	KLM937 (Jack) - KLM968 (Main)
⑦	8035	KLM937 (Jack) - KLM968 (Main)
⑧	8036	KLM1647 (Panel L) - KLM968 (Main)
⑨	8037	KLM938 (A.T) - KLM968 (Main)
⑩	8038	J.S - KLM968 (Main)
⑪	1905	KLM1948 (Panel R) - KLM968 (Main)
⑫	1906	KLM1947 (Panel L) - KLM968 (Main)
⑬	8004	LCD - Power
⑭	8012	LCD - KLM968 (Main)
⑮	FLAT CABLE 350mm	FDD - KLM968 (Main)
⑯	FLAT CABLE 500mm	FDD - KLM968 (Main)

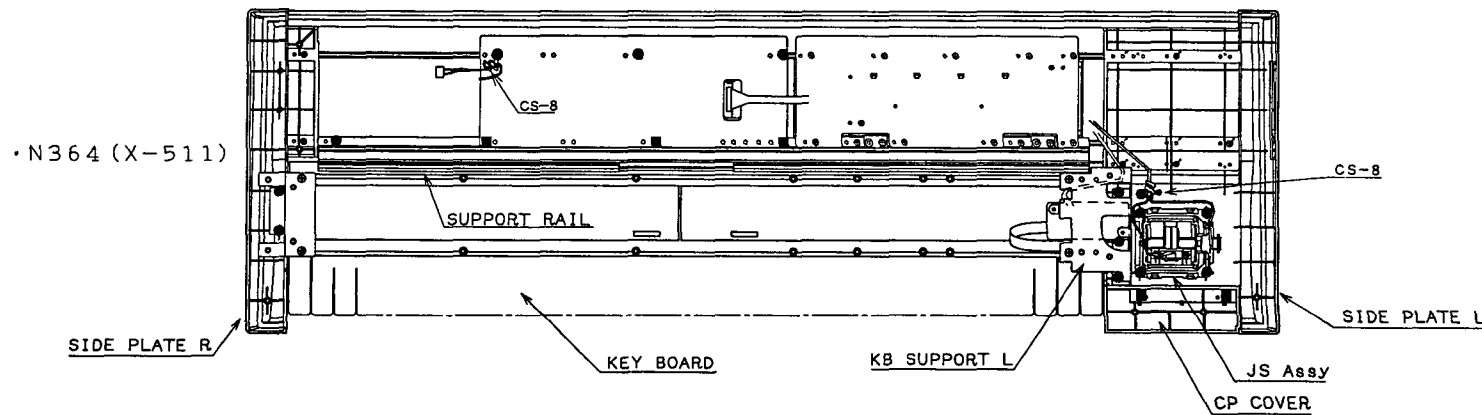
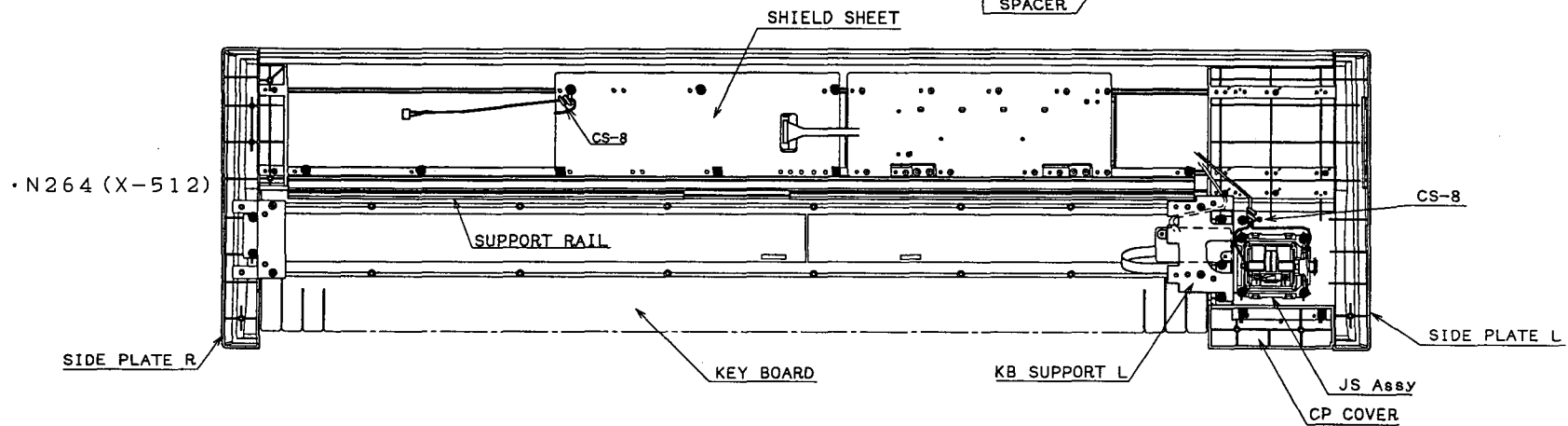
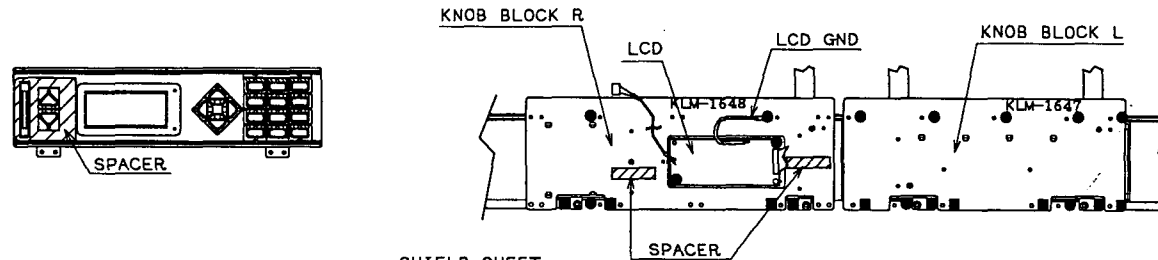
DISASSEMBLY (3/5)

• N264 (X-512)



MARK	SCREWS	Q'TY	Q'TY
●	BT B ZMC 3X8	7	7
■	BT B ZMC 3X10	4	4
▼	BT B BZMC 3X8	9	9

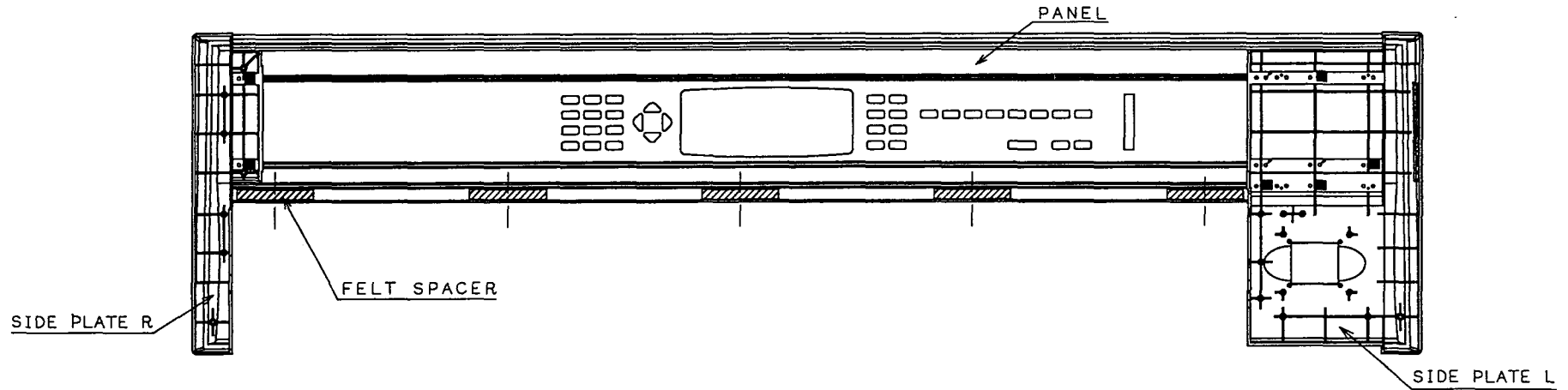
DISASSEMBLY (4/5)



■	BT B	ZMC	3X10	15	15
●	BT B	ZMC	3X8	26	28
MARK	SCREWS			X-511	X-512
				Q'TY	Q'TY

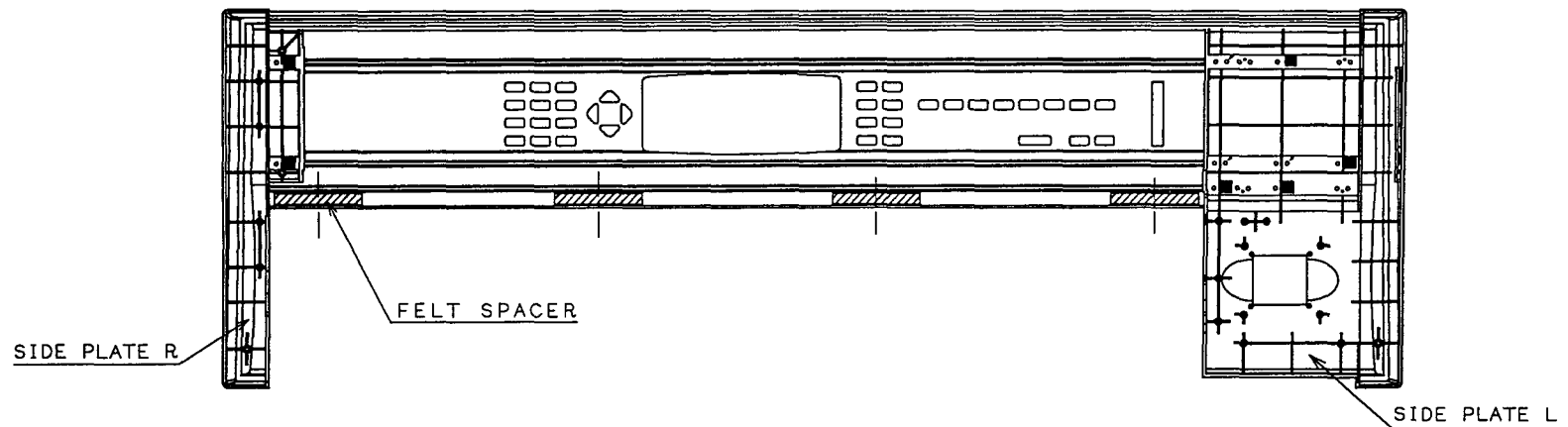
DISASSEMBLY (5/5)

• N264 (X-512)



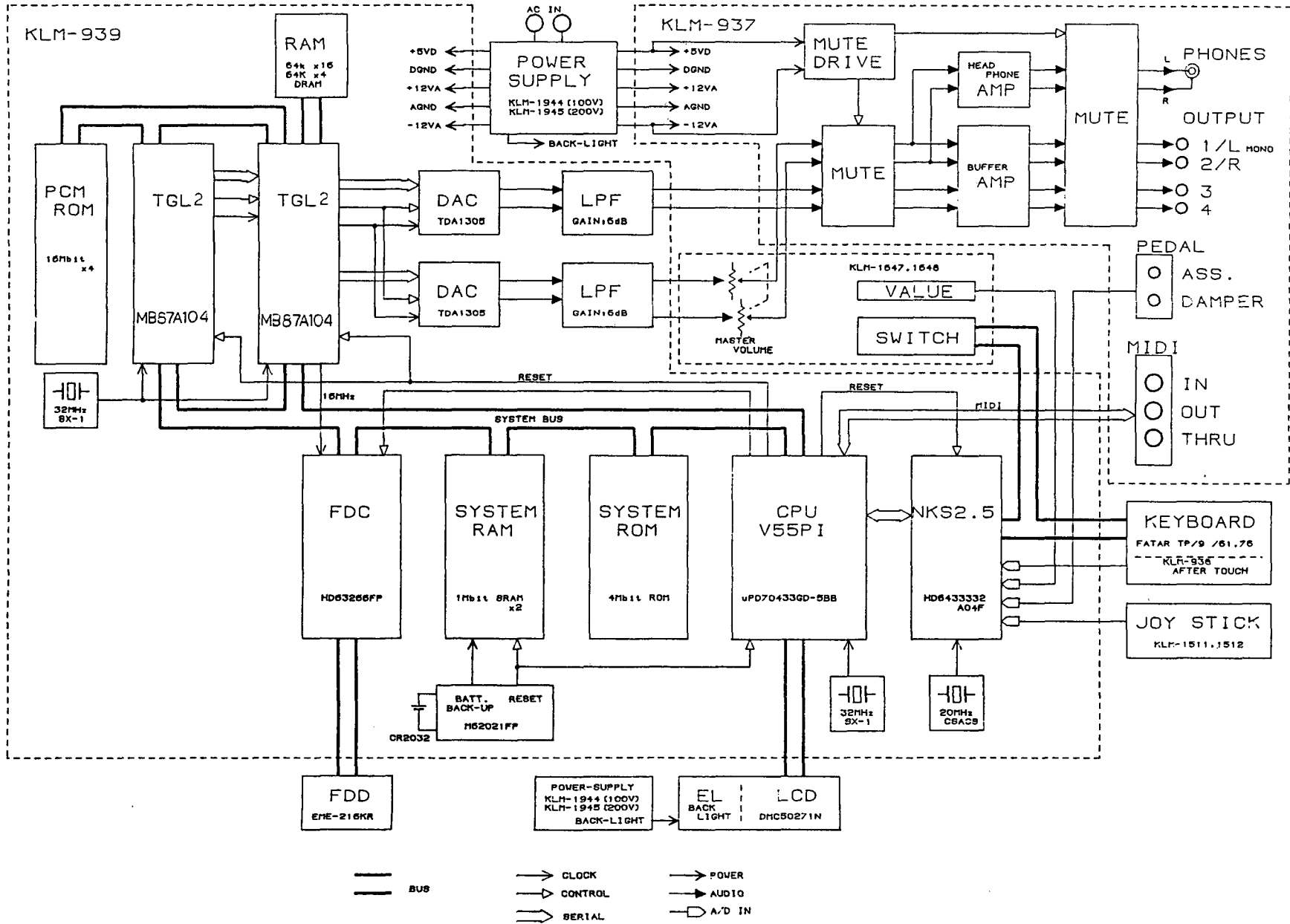
5

• N364 (X-511)



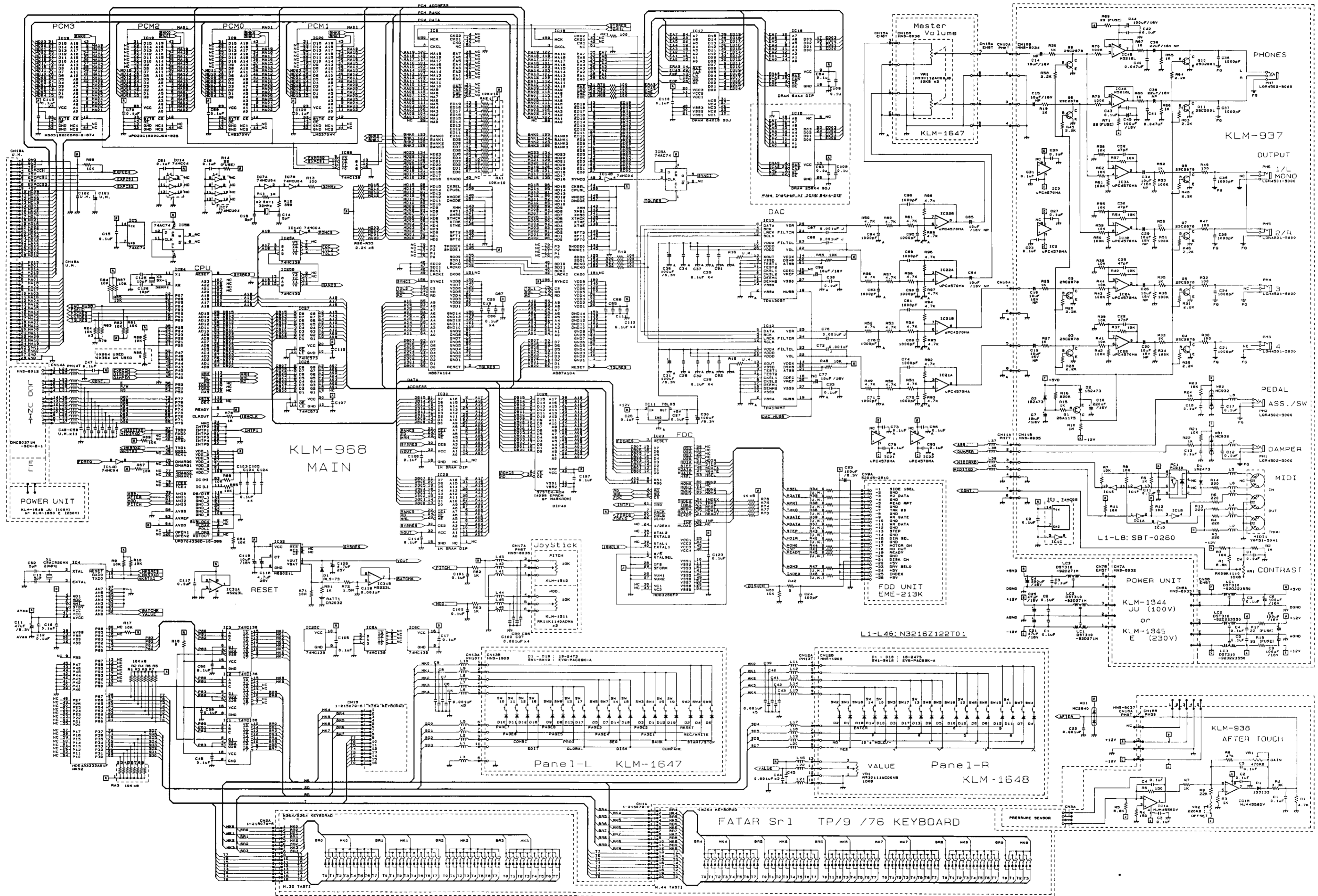
■	BT B	ZMC	3X10	6	6
MARK	SCREWS			X-511	X-512
				Q'TY	Q'TY

2. BLOCK DIAGRAM

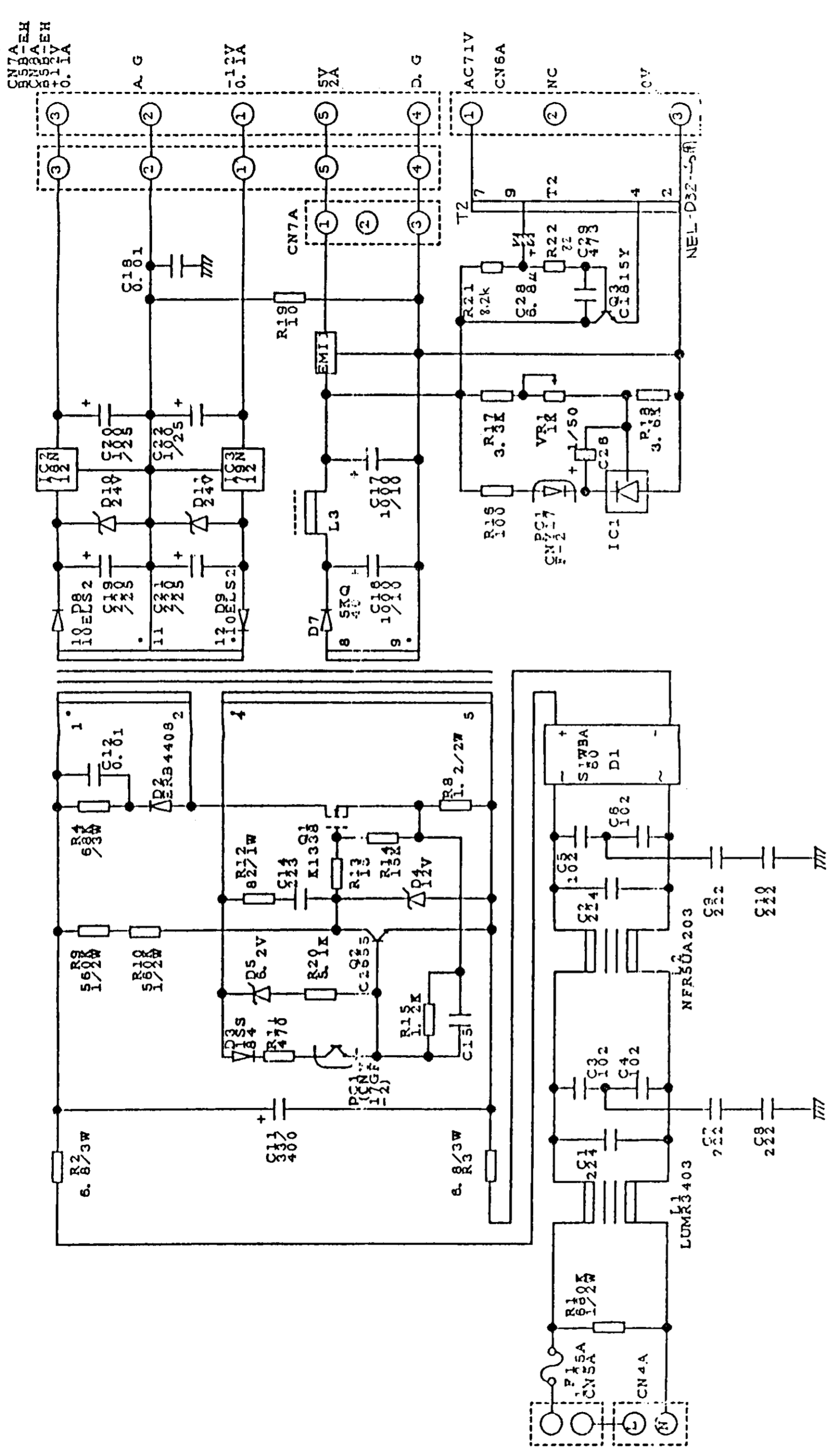


6-a

3. CIRCUIT DIAGRAM

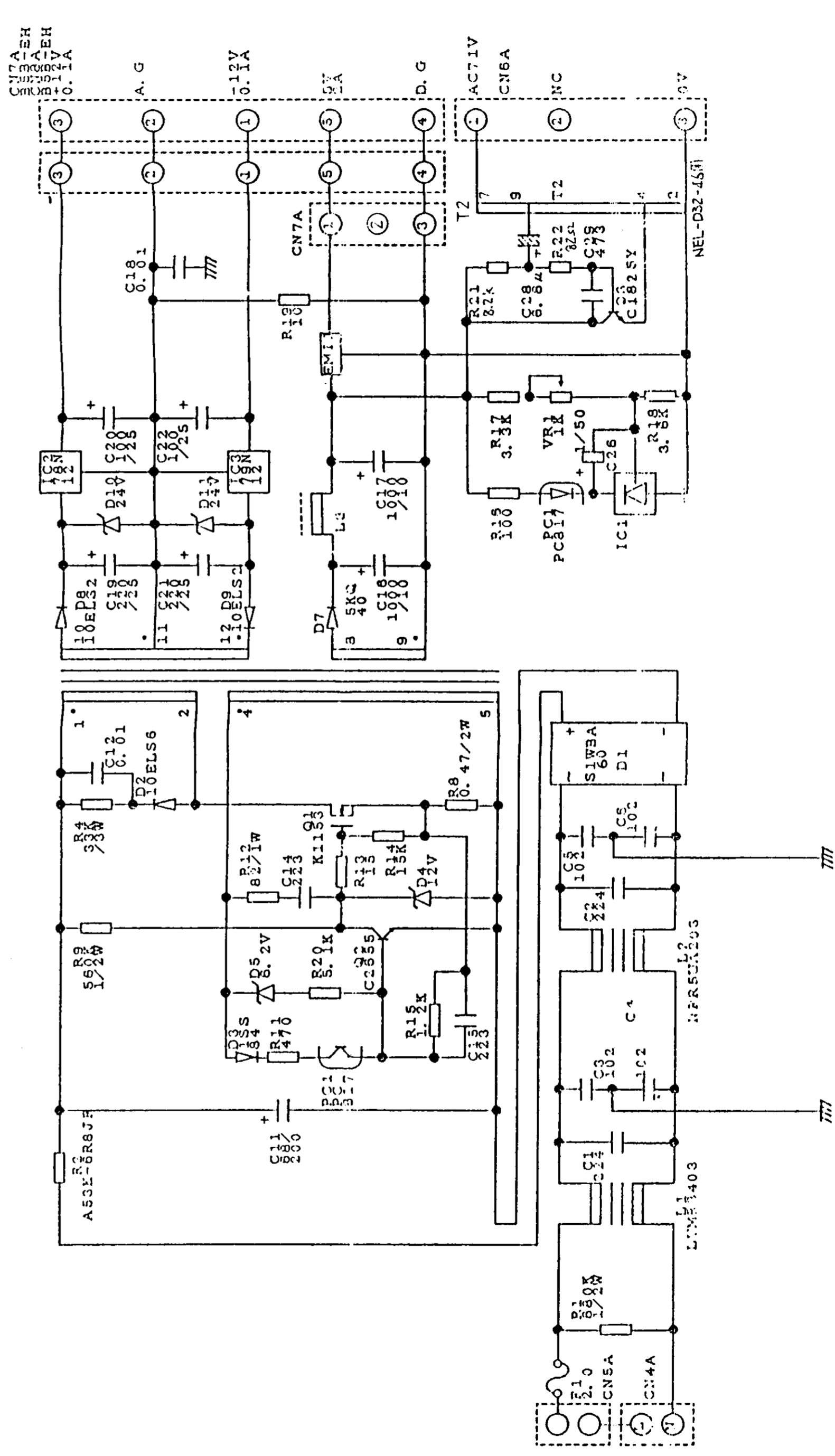


KLM-1944



FOR 100V/117V

KLM-1945



FOR 220V/230V/240V

FOR N264

PART CODE	PART NAME/SPECIFICATION	P.C.BOARD	NOTE	Q'TY	MARK
001093701	PCB ASSY KLM-937 FOR N264/364	M.PART	JACK	1	NEW
001096800	PCB ASSY KLM-968 FOR N264	M.PART	MAIN	1	NEW
001164701	PCB ASSY KLM-1647/48 FOR N264/364	M.PART	PANEL	1	NEW
002194400	POWER SUPPLY UNIT KLM-1944	M.PART	117US	1	
		M.PART	117CN	1	
		M.PART	117EX	1	
		M.PART	100JP	1	
002194500	POWER SUPPLY UNIT KLM-1945	M.PART	220GE	1	
		M.PART	240AU	1	
		M.PART	230GE	1	
		M.PART	230FR	1	
		M.PART	230WG	1	
		M.PART	230SC	1	
		M.PART	230UK	1	
313002800	LCD DMC50271N-SEW-B-1	M.PART		1	
320001068	IC UPD74HCU04C	968	HC_MOS	1	
320001242	IC UPC4570HA	937	OP_AMP	2	
		968	OP_AMP	2	
320001529	IC UPD70433GD-16-5BB	968	CPU	1	
320001559	IC UPD23C16000WGX-551	968	WAVE_ROM	1	
320001564	IC UPD431000ACZ-70L(DIP)	968	S_RAM	2	
320004101	IC HD74HC139P	968	HC_MOS	2	
320004108	IC HD74HC138P	968	HC_MOS	3	
320004160	IC HD74HC04P	968	HC_MOS	1	
320004291	IC HD74HC573P	968	HC_MOS	2	
320004359	IC HD74HC05P	937	HC_MOS	1	
320004538	IC HD63266F	968	FDC	1	
320004638	IC HD6433332A04F	968	NKS2.5	1	
320004643	IC HD74AC74P	968	AC_MOS	1	
320009001	IC NJM-4558D-V	938	OP_AMP	1	
320011026	IC MS216L-600Y	937	OP_AMP	1	
320011065	IC M-5223L	968	OP_AMP	1	
320011143	IC M62021L	968	RESET	1	
320012181	IC MB87A104APF-G-BND	968	TGL2	2	
320012193	IC MB8316200BPF-G-874	968	WAVE_ROM	1	
320013055	IC LH5370WW	968	WAVE_ROM	1	
320013056	IC LH5370WV	968	WAVE_ROM	1	
320021146	IC TMS27C240-10JL	968	EP_ROM	1	
320043001	IC IN41464P-10	968	D_RAM	1	
324005003	IC LC321664AJ-80-TRM	968	D_RAM	1	
324009004	IC NJM78L05UA-TE2	968	REGULATOR	1	
324038002	IC TDA1305T/N1-T	968	DAC	2	
330001400	PHOTO COUPLER PC-910K	937		1	
334000500	SB COIL SBT-0260 TF	937		8	
335400080	CRYSTAL OSC SX-1 32.000MHZ	968		2	
335400113	CERAMIC OSC CSACS20MX-040-TC	968		1	
350002422	SEMI FIXED VR RH0615C J5 220K	938		1	
350002447	SEMI FIXED VR RH0615C S5 470K	938		1	

PART CODE	PART NAME/SPECIFICATION	P.C.BOARD	NOTE	Q'TY	MARK
360024500	VR RK11K1140ADWA 10KB(SPECIAL)	1511		1	
		1512		1	
362006400	VR RK09K1110AWNA	937		1	
365007800	SLIDE VR RS30111AC00NB 10KB	1648		1	
365008000	SLIDE VR RS30112AC00JB 10KBX2	1647		1	
375010500	TOUCH SW EVQ-PAC09K-A	1647		19	
		1648		18	
375011500	POWER SW J-U3065#01	M.PART		1	
420005900	76TP/9+PCBOARD+AFTERTOUCH	M.PART		1	NEW
435001500	3.5INCH FDD EME-216KR	M.PART		1	
450002300	PHONE JACK LGR4502-5000 (STEREO)	937		3	
450002400	PHONE JACK LGR4501-5000 (MONO)	937		4	
480001403	IC SOCKET 40P DICF-40CS-E	968		1	
480010380	DIN JACK YKF51-5041 (3P)	937		1	
520001900	LITHIUM BATTERY CR2032-HE2	968		1	
525000100	DATA LINE FILTER ESD-R-25D-B	M.PART		1	
540020200	INLET SOCKET SS-7B	M.PART		1	
545050680	FLAT CABLE TFL-125K-26-500	M.PART		1	NEW
600005100	AC CORD KP-610 GTBS-3 KS-31AY	M.PART	230UK	1	
600005300	AC CORD DC-480-J01	M.PART	100JP	1	
600005400	AC CORD EC-652-E03	M.PART	220GE	1	
		M.PART	230GE	1	
		M.PART	230FR	1	
		M.PART	230WG	1	
		M.PART	230SC	1	
600005500	AC CORD UC-948-J01	M.PART	117EX	1	
600005700	AC CORD UC-953-J01	M.PART	117US	1	
		M.PART	117CN	1	
600005800	AC CORD SC-111-J01	M.PART	240AU	1	
620024600	X-952 POWER SW KNOB E40304-2	M.PART		1	
630019300	X-115 SHIELD SHEET KOC-C30414	M.PART		1	
630025600	X-511/512 LCD WINDOW	M.PART		1	
641021900	X-943 JACK PLATE	M.PART		1	
641037300	X-145/146 METAL FITTING OF PCB	968		3	
641039400	X-115 FDD ANGLE KOC-C20273	M.PART		1	
641041147	X-316 KB SUPPORT L KOC-C30425	M.PART		1	
641041148	X-316 KB SUPPORT R KOC-C40940	M.PART		1	
641041360	X-512 PANEL	M.PART		1	NEW
641041361	X-512 LOWER CASE	M.PART		1	NEW
641041364	X-512 SUPPORT RAIL	M.PART		1	NEW
641041370	X-511/512 PU CHARSSIS 1	M.PART		1	NEW

4. PARTS LIST

FOR N364

PART CODE	PART NAME/SPECIFICATION	P.C.BOARD NOTE	Q'TY	MARK
644006200	X-011/012 WHEEL SPRING	M.PART	2	
646038900	X-011/012 JOYSTICK FRAME	M.PART	1	
646039000	X-011/012 VR PLATE	M.PART	1	
646039100	X-011/012 WHEEL SUPPORT	M.PART	1	
646039200	X-011/012 JOYSTICK LEVER	M.PART	1	
646046601	X-511/512 SIDE PLATE L	M.PART	1	NEW
646046701	X-511/512 SIDE PLATE R	M.PART	1	NEW
646046801	X-511/512 KNOB BLOCK L	1647	1	NEW
646046901	X-511/512 KNOB BLOCK R	1647	1	NEW
646048601	X-511/512 CP COVER	M.PART	1	NEW
646062400	X-511/512 JS COVER	M.PART	1	NEW
646062500	X-511/512 JS WHEEL	M.PART	1	NEW
646062600	X-511/512 SVR KNOB	M.PART	2	NEW

PART CODE	PART NAME/SPECIFICATION	P.C.BOARD NOTE	Q'TY	MARK
001093701	PCB ASSY KLM-937 FOR N264/364	M.PART JACK	1	NEW
001096801	PCB ASSY KLM-968 FOR N364	M.PART MAIN	1	NEW
001164701	PCB ASSY KLM-1647/48 FOR N264/364	MPART PANEL	1	NEW
002194400	POWER SUPPLY UNIT KLM-1944	M.PART 117US	1	NEW
		M.PART 117CN	1	NEW
		M.PART 117EX	1	NEW
		M.PART 100JP	1	NEW
002194500	POWER SUPPLY UNIT KLM-1945	M.PART 220GE	1	NEW
		M.PART 240AU	1	NEW
		M.PART 230GE	1	NEW
		M.PART 230FR	1	NEW
		M.PART 230WG	1	NEW
		M.PART 230SC	1	NEW
		M.PART 230UK	1	NEW
313002800	LCD DMC50271N-SEW-B-1	M.PART	1	
320001068	IC UPD74HCU04C	968 HC_MOS	1	
320001242	IC UPC4570HA	937 OP_AMP	2	
320001529	IC UPD70433GD-16-5BB	968 CPU	1	
320001559	IC UPD23C16000WGX-551	968 WAVE_ROM	1	NEW
320001564	IC UPD431000ACZ-70L(DIP)	968 S_RAM	2	
320004101	IC HD74HC139P	968 HC_MOS	2	
320004108	IC HD74HC138P	968 HC_MOS	3	
320004160	IC HD74HC04P	968 HC_MOS	1	
320004291	IC HD74HC573P	968 HC_MOS	2	
320004359	IC HD74HC05P	937 HC_MOS	1	
320004538	IC HD63266F	968 FDC	1	
320004638	IC HD6433332A04F	968 NKS2.5	1	
320004643	IC HD74AC74P	968 AC_MOS	1	NEW
320009001	IC NJM-4558D-V	938 OP_AMP	1	NEW
320011026	IC M5216L-600Y	937 OP_AMP	1	
320011065	IC M-5223L	968 OP_AMP	1	
320011143	IC M62021L	968 RESET	1	
320012181	IC MB87A104APF-G-BND	968 TGL2	2	
320012193	IC MB8316200BPF-G-874	968 WAVE_ROM	1	
320013055	IC LH5370WW	968 WAVE_ROM	1	
320013056	IC LH5370WV	968 WAVE_ROM	1	
320021146	IC TMS27C240-10JL	968 EP_ROM	1	
320043001	IC IN41464P-10	968 D_RAM	1	
324005003	IC LC321664AJ-80-TRM	968 D_RAM	1	
324009004	IC NJM78L05UA-TE2	968 REGULATER	1	
324038002	IC TDA1305T/N1-T	968 DAC	2	
330001400	PHOTO COUPLER PC-910K	937	1	
334000500	SB COIL SBT-0260 TF	937	8	
335400080	CRYSTAL OSC SX-1 32.000MHZ	968	2	
335400113	CERAMIC OSC CSACS20MX-040-TC	968	1	
350002422	SEMI FIXED VR RH0615C J5 220K	938	1	
350002447	SEMI FIXED VR RH0615C S5 470K	938	1	
360024500	VR RK11K1140ADWA 10KB(SPECIAL)	1511	1	
		1512	1	
362006400	VR RK09K1110AWNA	937	1	
365007800	SLIDE VR RS30111AC00NB 10KB	1648	1	

PART CODE	PART NAME/SPECIFICATION	P.C.BOARD	NOTE	Q'TY	MARK
365008000	SLIDE VR RS30112AC00JB 10KBX2	1647		1	
375010500	TOUCH SW EVQ-PAC09K-A	1648		18	
		1647		19	
375011500	POWER SW J-U3065#01	M.PART		1	
420005800	61TP/9S+PCBOARD+AFTERTOUCH	M.PART		1	NEW
435001500	3.5INCH FDD EME-216KR	M.PART		1	NEW
450002300	PHONE JACK LGR4502-5000 (STEREO)	937		3	
450002400	PHONE JACK LGR4501-5000 (MONO)	937		4	
480001403	IC SOCKET 40P DICF-40CS-E	968		1	
480010380	DIN JACK YKFS1-5041 (3P)	937		1	
520001900	LITHIUM BATTERY CR2032-HE2	968		1	
525000100	DATA LINE FILTER ESD-R-25D-B	M.PART		1	
540020200	INLET SOCKET SS-7B	M.PART		1	
545050670	FLAT CABLE TFL-125K-26-350	M.PART		1	NEW
600005100	AC CORD KP-610 GTBS-3 KS-31AY	M.PART	230UK	1	
600005300	AC CORD DC-480-J01	M.PART	100JP	1	
600005400	AC CORD EC-652-E03	M.PART	230SC	1	
		M.PART	230WG	1	
		M.PART	230GE	1	
		M.PART	230FR	1	
		M.PART	220GE	1	
600005500	AC CORD UC-948-J01	M.PART	117EX	1	
600005700	AC CORD UC-953-J01	M.PART	117US	1	
		M.PART	117CN	1	
600005800	AC CORD SC-111-J01	M.PART	240AU	1	
620024600	X-952 POWER SW KNOB E40304-2	M.PART		1	
630019300	X-115 SHIELD SHEET KOC-C30414	M.PART		1	
630025600	X-511/512 LCD WINDOW	M.PART		1	
641021900	X-943 JACK PLATE	937		1	
641021900	X-943 JACK PLATE	M.PART		1	
641037300	X-145/146 METAL FITTING OF PCB	968		3	
641039400	X-115 FDD ANGLE KOC-C20273	M.PART		1	
641041147	X-316 KB SUPPORT L KOC-C30425	M.PART		1	
641041148	X-316 KB SUPPORT R KOC-C40940	M.PART		1	
641041333	X-511 LOWER CASE	M.PART		1	NEW
641041359	X-511 PANEL	M.PART		1	NEW
641041363	X-511 SUPPORT RAIL	M.PART		1	NEW
641041370	X-511/512 PU CHASSIS 1	M.PART		1	

PART CODE	PART NAME/SPECIFICATION	P.C.BOARD	NOTE	Q'TY	MARK
644006200	X-011/012 WHEEL SPRING	M.PART		2	
646038900	X-011/012 JOYSTICK FRAME	M.PART		1	
646039000	X-011/012 VR PLATE	M.PART		1	
646039100	X-011/012 WHEEL SUPPORT	M.PART		1	
646039200	X-011/012 JOYSTICK LEVER	M.PART		1	
646046601	X-511/512 SIDE PLATE L	M.PART		1	
646046701	X-511/512 SIDE PLATE R	M.PART		1	
646046801	X-511/512 KNOB BLOCK L	1647		1	
646046901	X-511/512 KNOB BLOCK R	1647		1	
646048601	X-511/512 CP COVER	M.PART		1	
646062400	X-511/512 JS COVER	M.PART		1	
646062500	X-511/512 JS WHEEL	M.PART		1	
646062600	X-511/512 SVR KNOB	M.PART		2	NEW

KEYBOARD PARTS LIST

PART CODE	PART NAME/SPECIFICATION	PRODUCT
422008518	TP/9S AFT. STRIP 76NOTE	N264
422008522	TP/9S CIRCUIT BOARD LOW 76NOTE	N264
422008523	TP/9S CIRCUIT BOARD HIGH 76NOTE	N264
422008524	TP/9S 12-RUBBER CONTACT 76NOTE	N264/N364
422008525	TP/9S 1-RUBBER CONTACT 76NOTE	N264/N364
422008534	61TP/9 AFTH STRIP	N364
422008535	61TP/9 CIRCUIT BOARD LEFT	N364
422008536	61TP/9 CIRCUIT BOARD RIGHT	N364
422008574	61&76TP/9S+PCB+AFTH OCT. WHITE	N264/N364
422008577	61&76TP/9 NO-WEIGHT SPRING	N264/N364
*422X51100	76TP/9S G' KEY NO-WEIGHT	N264
*422X51101	76TP/9S E' KEY NO-WEIGHT	N264
*422X51200	61TP/9S C' KEY NO-WEIGHT	N364

VAROITUS

Paristo voi räjähtää, jos se on virheellisesti asennettu.
Vaihda paristo ainoastaan laitevalmistajan suosittelemaan
tyyppiin. Hävitä käytetty paristo valmistajan ohjeiden
mukaisesti.

ADVARSEL!

Lithiumbatteri – Eksplosionsfare ved fejlagtig handling.
Udskiftning må kun ske med batteri af samme
fabrikat og type.
Levér det brugte batteri tilbage til leverandør ren.

ADVERSEL

Eksplosjonsfare ved feilaktig skifte av batteri.
Benytt samme batteritype eller en tilsvarende
type anbefalt av apparatfabrikanten.
Brukte batterier kasseres i henhold til fabrikantens
instruksjoner.

VARNING

Explosionsfara vid felaktigt batteribyte.
Använd samma batterityp eller en ekvivalent typ som
rekommenderas av apparattillverkaren.
Kassera använt batteri enligt fabrikantens instruktion.

CAUTION

Danger of explosion if battery is incorrectly replaced .
Replace only with the same or equivalent type
recommended by the equipment manufacturer .
Discard used batteries according to manufacturer 's
instructions.

KORG

KORG INC. 15-12, Shimotakaido 1-chome, Suginami-ku, Tokyo 168
